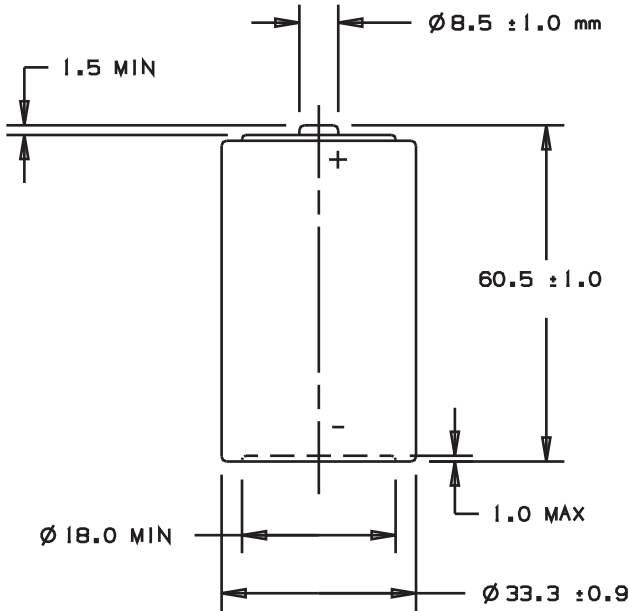




Kodak Alkaline Battery

KD

Effective : July 2003

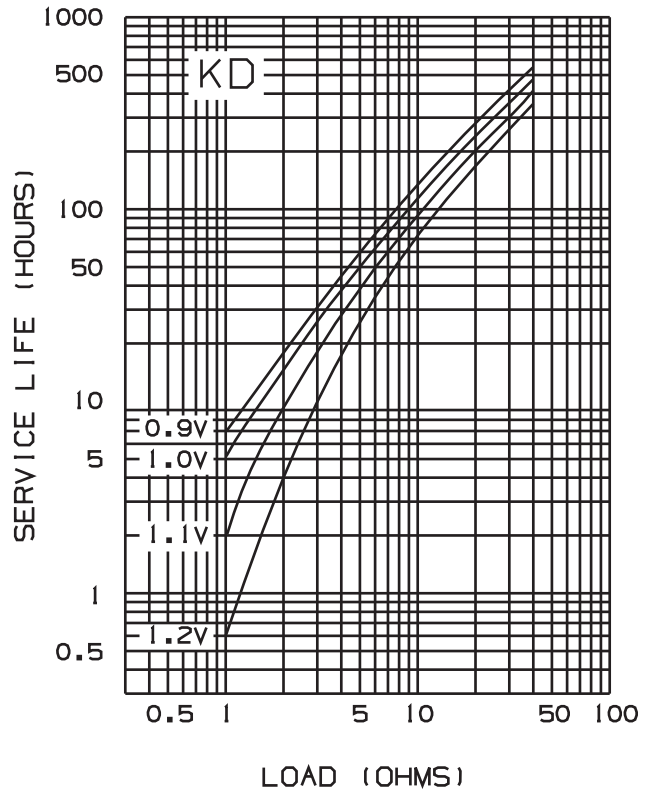
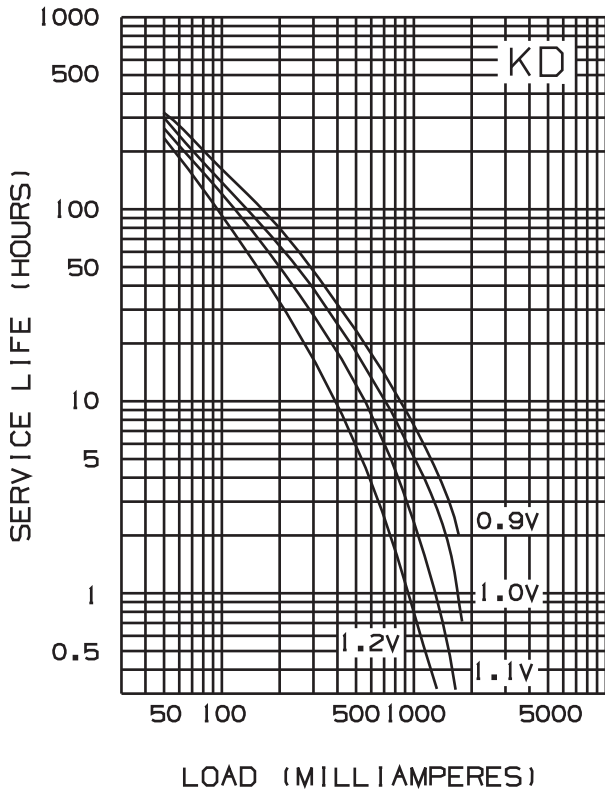


System:	Alkaline-Manganese Dioxide
Designation:	ANSI 13A, IEC LR20
Nominal Voltage:	1.5 Volts
Nominal Capacity:	19,500 mAh at 39 Ohms to 0.8 Volts
Internal Impedance:	0.08 Ohms (typical)
Temperature Range:	-20°C to 54°C
Average Weight:	141 grams
Volume:	53.8 cm ³
Terminals:	Flat Contacts
Jacket:	Foil Label

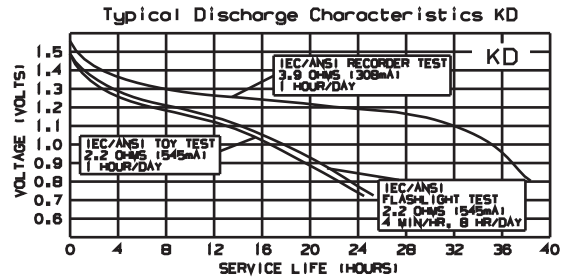
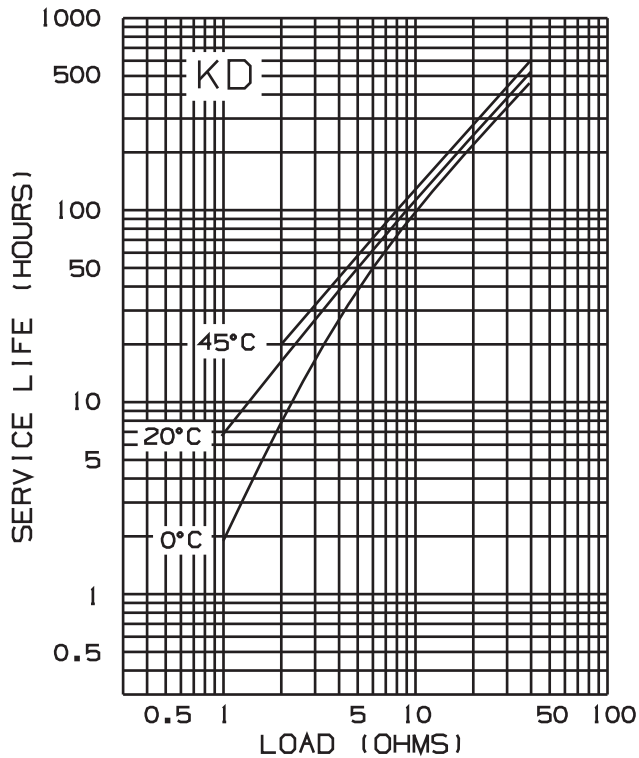
NOTE: 1) No added Mercury / 99.9999% Mercury free
 2) No added Lead / 99.999% Lead free
 3) This battery complies with: ANSI C18, IEC 60086, & EEC directive 91/157 standards.

Typical Discharge Characteristics With Constant Current At 20°C

Typical Discharge Characteristics With Constant Resistance At 20°C



Typical Temperature Characteristics
0.9 Volts Cutoff Voltage



The following indicates the typical service life expected when discharged after storage in air at 20 ±2°C and 65 ± 10% relative humidity:

Shelf Life Tests at 20°C	Fresh Cells	1 Year	2 Years	3 Years	4 Years	5 Years
IEC/ANSI Flashlight 2.2 Ohm 4 Min/Hr, 8 Hr/Day to 0.9 Volts	1200 Min	1170 Min	1140 Min	1110 Min	1080 Min	1050 Min
IEC/ANSI Toy 2.2 Ohms 1 Hr/Day to 0.8 Volts	23.5 Hrs	23.0 Hrs	22.5 Hrs	22.0 Hrs	21.5 Hrs	21.0 Hrs
IEC/ANSI Cassette Recorder 3.9 Ohms 1 Hr/Day to 0.9 Volts	37.0 Hrs	36.5 Hrs	36.0 Hrs	35.5 Hrs	35.0 Hrs	34.5 Hrs

The following indicates the typical service life expected when discharged at 0 ±2°C or at 45 ±2°C (relative humidity less than 70%):

Service Life Tests at 0°C and 45°C	0°C	45°C
IEC/ANSI Flashlight 2.2 Ohm 4 Min/Hr, 8 Hr/Day to 0.9 Volts	950 Min	1150 Min
IEC/ANSI Toy 2.2 Ohms 1 Hr/Day to 0.8 Volts	17.5 Hrs	22.5 Hrs
IEC/ANSI Cassette Recorder 3.9 Ohms 1 Hr/Day to 0.9 Volts	28.0 Hrs	35.0 Hrs

The curves and data in this publication represent product tested under the conditions specified. They do not represent standards or specifications which must be met by Eastman Kodak Company. The company reserves the right to change and improve product characteristics at any time.



For more information, contact
EASTMAN KODAK COMPANY
343 State Street
Rochester, New York 14650-0811
1-800-242-2424
www.kodak.com/go/batteries